

Interface Masters

TECHNOLOGIES

Innovative Network Solutions



Tahoe 2932-4XL ISO View

OVERVIEW

Interface Masters Technologies presents TAHOE 2932-4XL OCP White Box Switch is a flexible Four-Port 40GbE switch system based on Marvel Lion I switch. The system is targeted to be used as 40GbE End of Row or Spine switches. It is designed to be compatible with 19" enterprise rack specifications.

The TAHOE 2932-4XL platform is designed for maximum flexibility in a 1U form factor. This is a platform that can support multiple CPU and mass storage options including x86 and PowerPC. Customization services are offered.

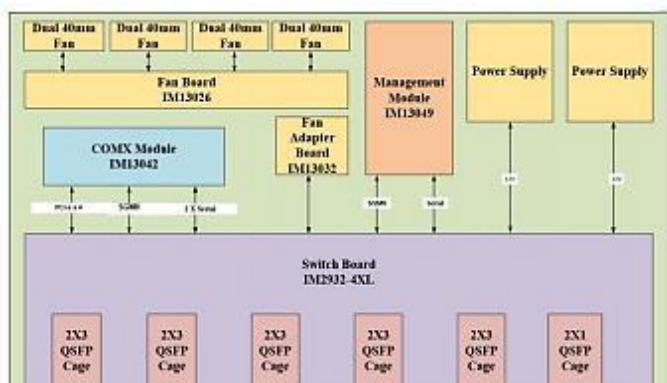
Software configurations include white box with ONIE, complete SDK for custom development. Interface Masters proudly designs and manufactures our products in the USA. For a complete list of factory options and services, please contact Interface Masters.

PRODUCT FEATURES

- Marvel Lion I switch
 - Four Port of 40GBE
- Multiple Control plane processor options
 - x86 and PowerPC
- Dual redundant power supplies
 - 1+1 redundant, hot swappable power supplies
 - AC and DC options
- Field replaceable fans
 - 4 dual hot swappable fan assemblies
 - Air flow front to back or back to front
- Management Interfaces
 - RS232 CLI interface
 - 10/100/1000 management port
 - Optional USB port
- Lower OPEX with high efficiency power conversion
 - High efficiency internal components
 - High efficiency AC/DC and DC/DC power supplies

TARGET APPLICATIONS

- Carrier Ethernet and Metro Ethernet devices
- Datacenter switching applications
- IP-DSLAMs, blade servers
- Managed Ethernet switches
- MTU or MDU premises switches



Block Diagram of Tahoe 2932-4XL

| ENVIRONMENTAL | |
|---------------------------|----------------------------|
| Operating Temperature | 0° to 40 °C (32° to 104°F) |
| Operating Humidity | 5 to 95%, non-condensing |
| Maximum Power Consumption | 156.7W |
| Airflow | 100 LFM |

| ORDERING INFORMATION | |
|----------------------|--------------------------------------------------------------------|
| Part Number | Description |
| Tahoe 2932-4XL | 4 port 40 Gigabit QSFP+ and 32 port 10 Gigabit SFP+ Managed Switch |

| DIMENSIONS | | |
|------------|--------|------------|
| | Inches | Millimeter |
| Length | 17.33 | 440.182 |
| Height | 1.75 | 44.45 |
| Width | 17.33 | 440.182 |

CUSTOMIZATION SERVICES

Hardware, Firmware, Linux O/S and application code development services available.



ABOUT INTERFACE MASTERS TECHNOLOGIES, INC.

Interface Masters Technologies is a leading provider of high-speed networking solutions focused on 1/10 /25/40/100/200 Gigabit Ethernet networking solutions. For over 25 years, Interface Masters Technologies has been providing innovative networking solutions with customization services to OEMs, large enterprises and sophisticated end users. Interface Masters Technologies provides Ethernet switches, appliances, server adapter cards with high port density, networking offload and bypass functionality. Company headquarters are located in San Jose, CA with satellite offices in Hong Kong and Europe.

Address: 150 East Brokaw Rd., San Jose, CA 95112
 Phone: 408-441-9341
 Fax: 815-364-0888
 Email: sales@interfacemasters.com
 Web: www.interfacemasters.com

Copyright © 2019 Interface Masters Technologies, Inc.
 Product specifications subject to change without notice
 Rev C

Interface Masters
 ◀ TECHNOLOGIES ▶
 Innovative Network Solutions